

2PC Control Valve - NPT

Control - Set Series

Models: #DM V60-SS

2PC Body

Full Port - 60° V Ball

1000 WOG / 150 WSP

316SS-CF8M

Sizes 1/2"-2"



Easy Access Packing Gland

Design Features

- Direct Mount
- ISO 5211
- Control - Ball 60° V
- S-Tek Seats 50/50
- Position Locking Handle
- Pressure Rating: 1000 PSI / WOG
- Temperature Range: -20° F - 450° F
- Adjustable "Live Loaded" Stem Seal



Economical Flow Control for Both Manual & Automated Designs

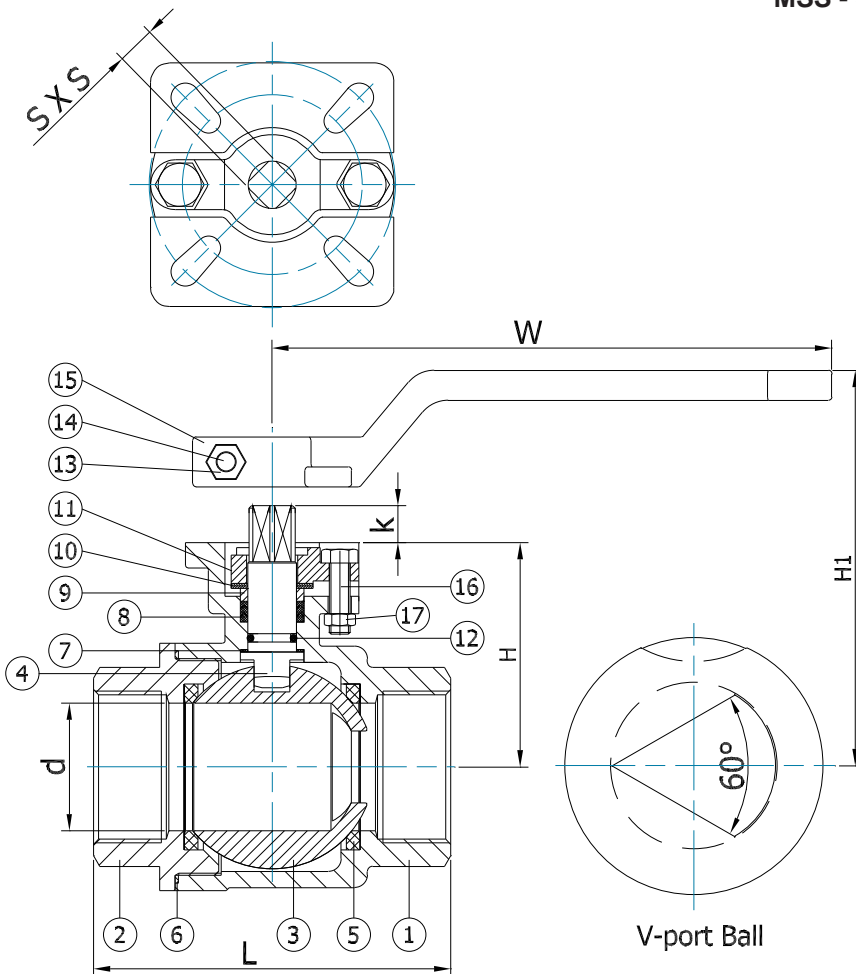
Design and Technical Data

Standards
 ANSI/ASME - B16.11
 ISO - 5211
 MSS - SP25, SP72

Models
 Threaded DM-V60SS

Materials of Construction

No.	Parts	S23-SS
1	Body	ASTM A351 CF8M
2	End Cap	ASTM A351 CF8M
3	Ball	SS316
4	Stem	SS316
5	Seat - S-TEK	50% PTFE + SS316
6	Gasket	RPTFE
7	Washer	RPTFE
8	Packing	RPTFE
9	Packing Follower	SS304
10	Belleville Washer	SS304
11	Packing Gland	CF8
12	O-Ring	Viton
13	Handle Nut	SS304
14	Handle Bolt	SS304
15	Handle	SS304
16	Gland Bolt	SS304
17	Gland Nut	SS304



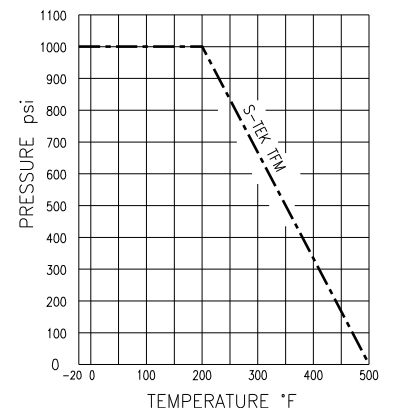
Steam Rating 175 PSI WSP
 Consult Factory

Dimensions and Weights

SIZE	d	L	W	H	H1	K	S	ISO5211	Cv	Torque In-lb	Weight lbs
1/2"	0.59	2.44	4.72	1.97	2.76	0.39	0.354	F04 / F05	12.78	60	0.97
3/4"	0.79	2.87	5.39	2.17	3.07	0.39	0.354	F04 / F05	16.28	70	1.35
1"	0.98	3.34	5.39	2.20	3.23	0.47	0.433	F04 / F05	32.84	95	2.25
1 1/4"	1.26	3.85	7.36	2.64	3.46	0.47	0.433	F04 / F05	44.20	150	3.20
1 1/2"	1.50	4.33	7.36	3.07	3.66	0.59	0.551	F05 / F07	59.74	200	5.20
2"	1.97	4.72	8.46	3.27	4.06	0.59	0.551	F05 / F07	136.50	300	8.65

Leak Detection Window
 Prevents actuator damage in the unlikely event of stem leakage

Pressure/Temperature Chart



Hi-Tek Stem Seal Design

Flo-Tite's Control-Set Series provides for an extended valve cycle life. The primary seal is a washer that fits firmly on the stem shoulder. The secondary seal (back-up) seal is provided by an O-ring and a set of self-lubricating RPTFE Vee packing rings, energized by belleville washers. This design adjusts packing compression to compensate for wear, pressure or temperature fluctuations even when "Direct-Mount" actuation and insulation are utilized.

Due to continuous development & improvement of our product range, we reserve the right to alter the dimensions and techcal data included in this brochure